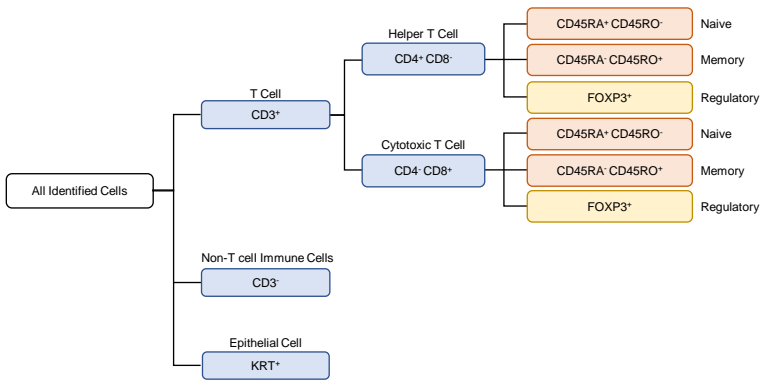
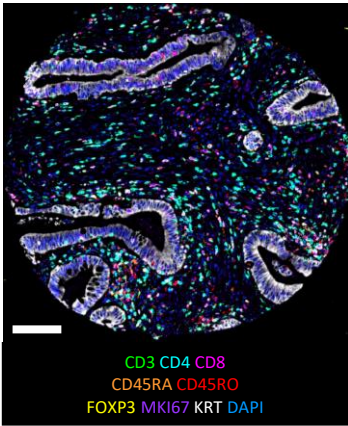


Supplemental Figure I

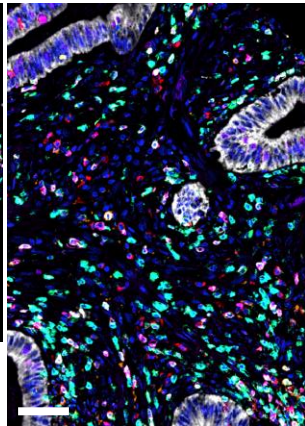
A



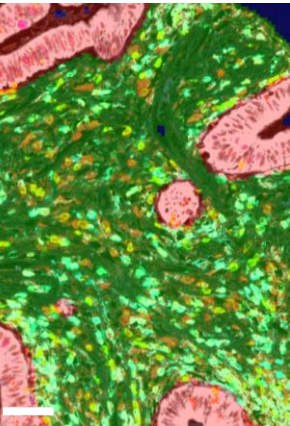
B



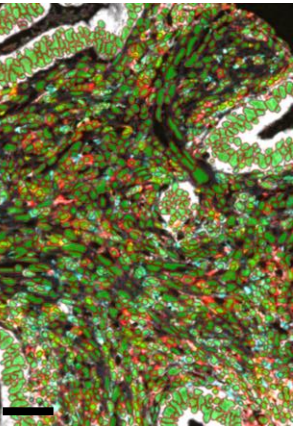
C



D



E



F

